



FONES SMART

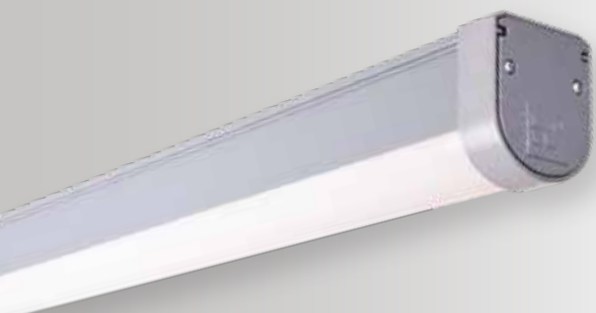
AREAS OF APPLICATION

Shops • Cafes • Restaurants • Parking Lots • Offices • Training Halls • Hospitals
• Hangars • Warehouses • Factories • Facilities • Sports Facilities
Designed for use in environments that demand long-lasting and high lumen lighting.



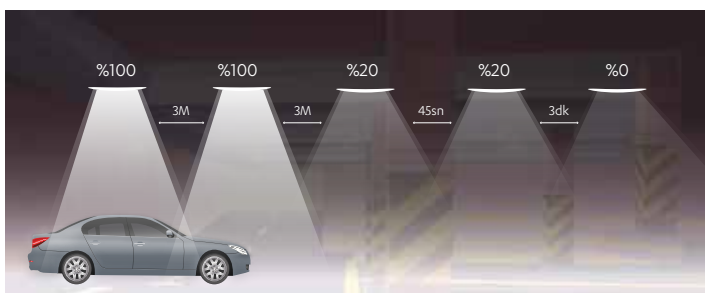
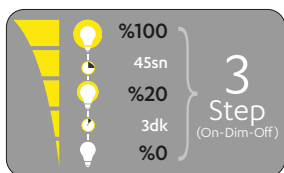
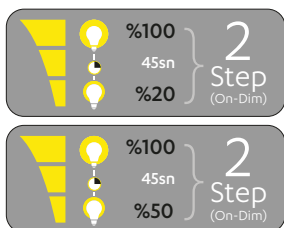
FONES SMART

WATERTIGHT LED LIGHTING

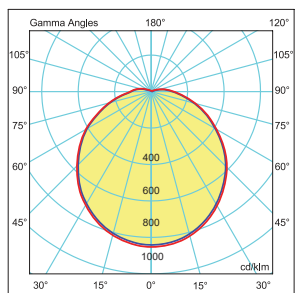


PRODUCT SPECIFICATIONS

- Body** : PC CO EX Body RAL7001
- Optic** : PC Opal Diffuser
- Driver** : 3N
- Led Chip** : Seoul, Lumileds, Bridgelux
- Input Voltage** : 220-240V/AC 50-60Hz
- Temperature Range** : -10°C~+40°C
- CRI** : CRI > 80
- IP Class** : IP65
- Options** : Body Color Options: RAL9005/RAL9016
Application Options: Surface Mounted/Cable Duct/Busbar
Color Temperature: 3000K / 4000K / 6500K
Emergency Kit - DALI
2 Step On-Dim / 3 Step On-Dim-Off
PIR / Microwave Radar Sensor

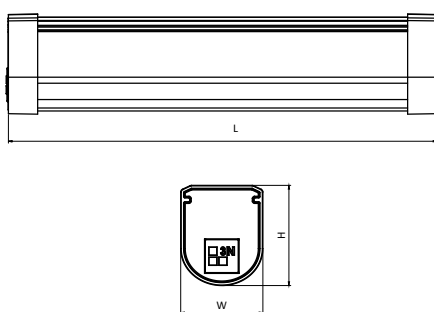


PHOTOMETRIC DISTRIBUTION



180.0 — 0.0 η: 100.00%
270.0 — 90.0

TECHNICAL DRAWING



ACCESSORIES



PRODUCT SPECIFICATIONS

Item Code	Power (W)	Luminaire Lumen (lm)	Color Temperature (K)	Efficiency (lm/W)	Dimensions (LxWxH)	Qty/ Carton	Carton Size (LxWxH)	G.W/ Carton
LET50.020	20W	2.000	3000/4000/6500	100lm/W	1205x55x65mm	20	1280x280x280mm	13.50 kg
LET50.036	36W	3.600	3000/4000/6500	100lm/W	1205x55x65mm	20	1280x280x280mm	13.50 kg

*3N Company has the right to make any changes it deems necessary without prior notice.
*Technical data has a tolerance of ± 10%.